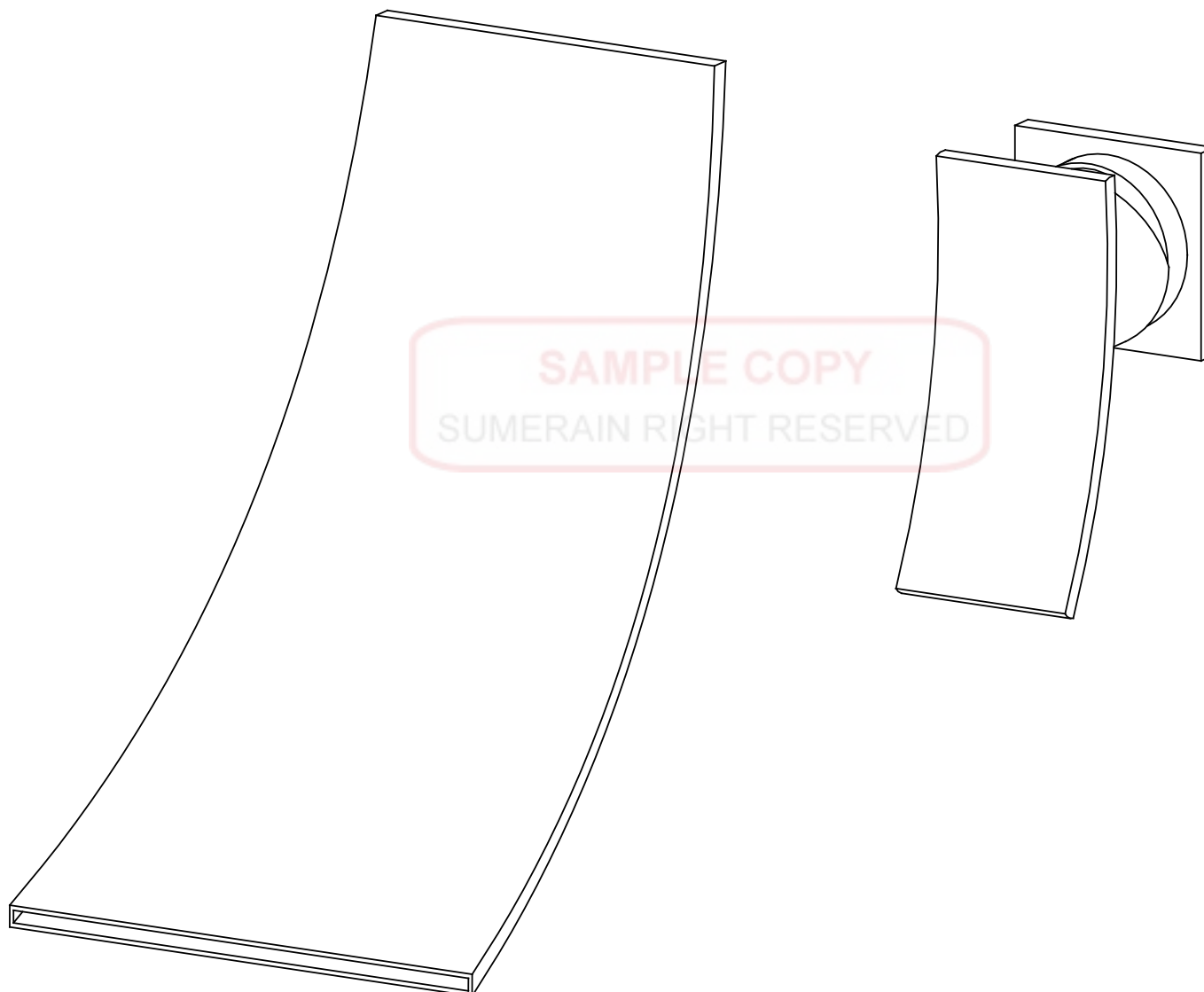


**DATASHEET AND MEASUREMENT**

**WALL MOUNTED WATERFALL VESSEL SINK FAUCET**

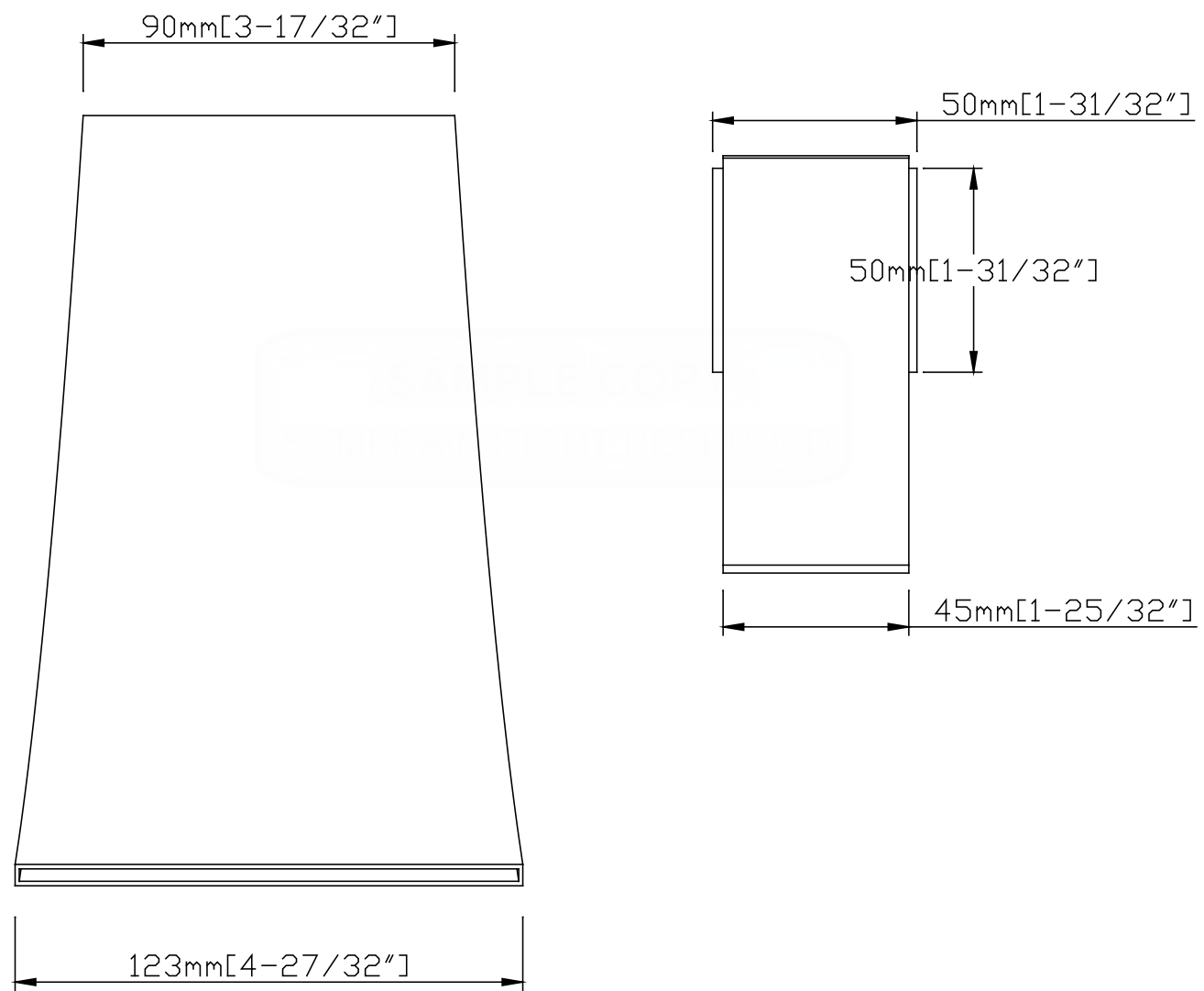
**WALL MOUNTED WATERFALL TUB FILLER**

MODEL	FINISH
S1364CW	CHROME
S1364NW	BRUSHED NICKEL

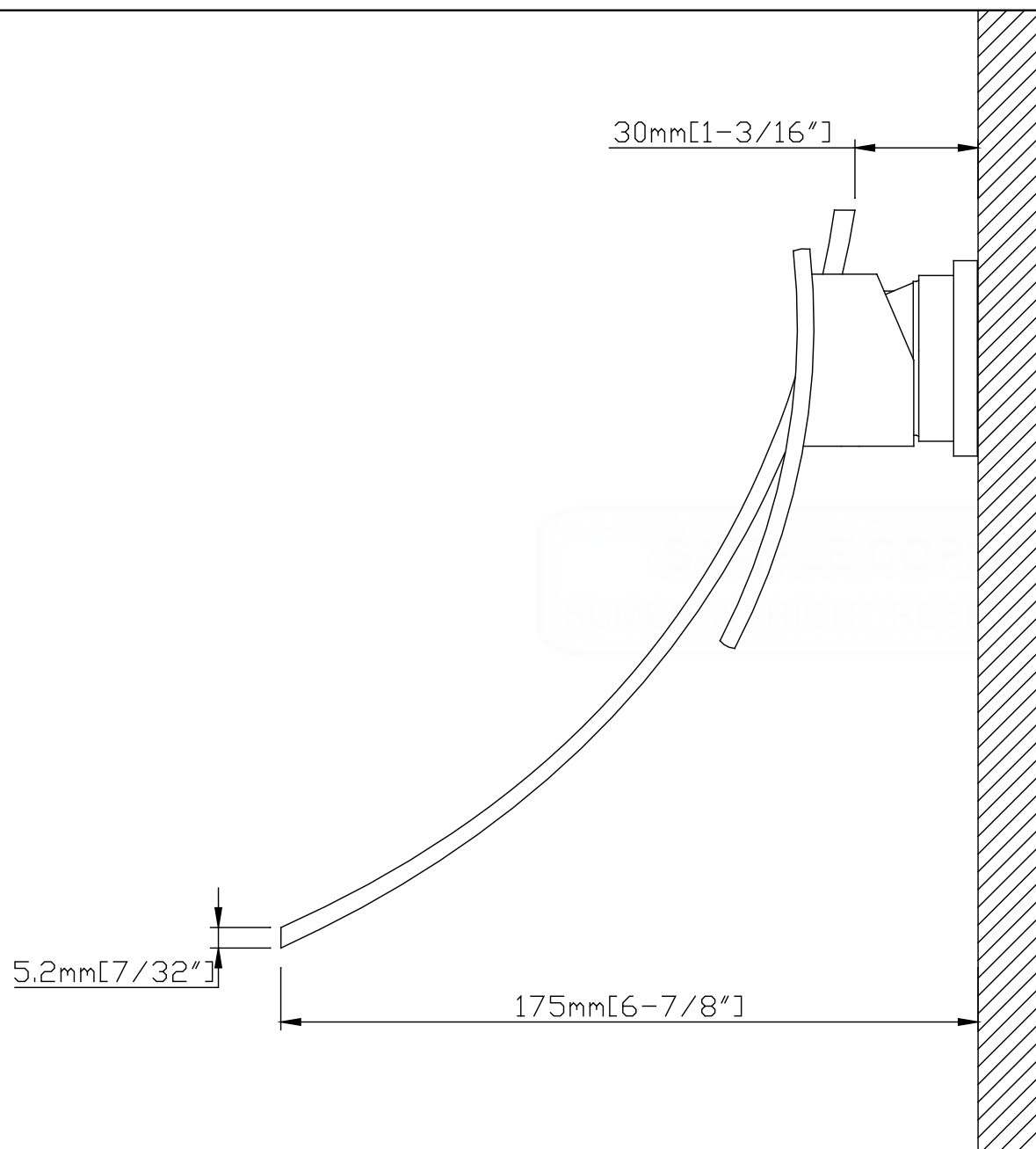
## FUNCTIONS AND SPECIFICATION

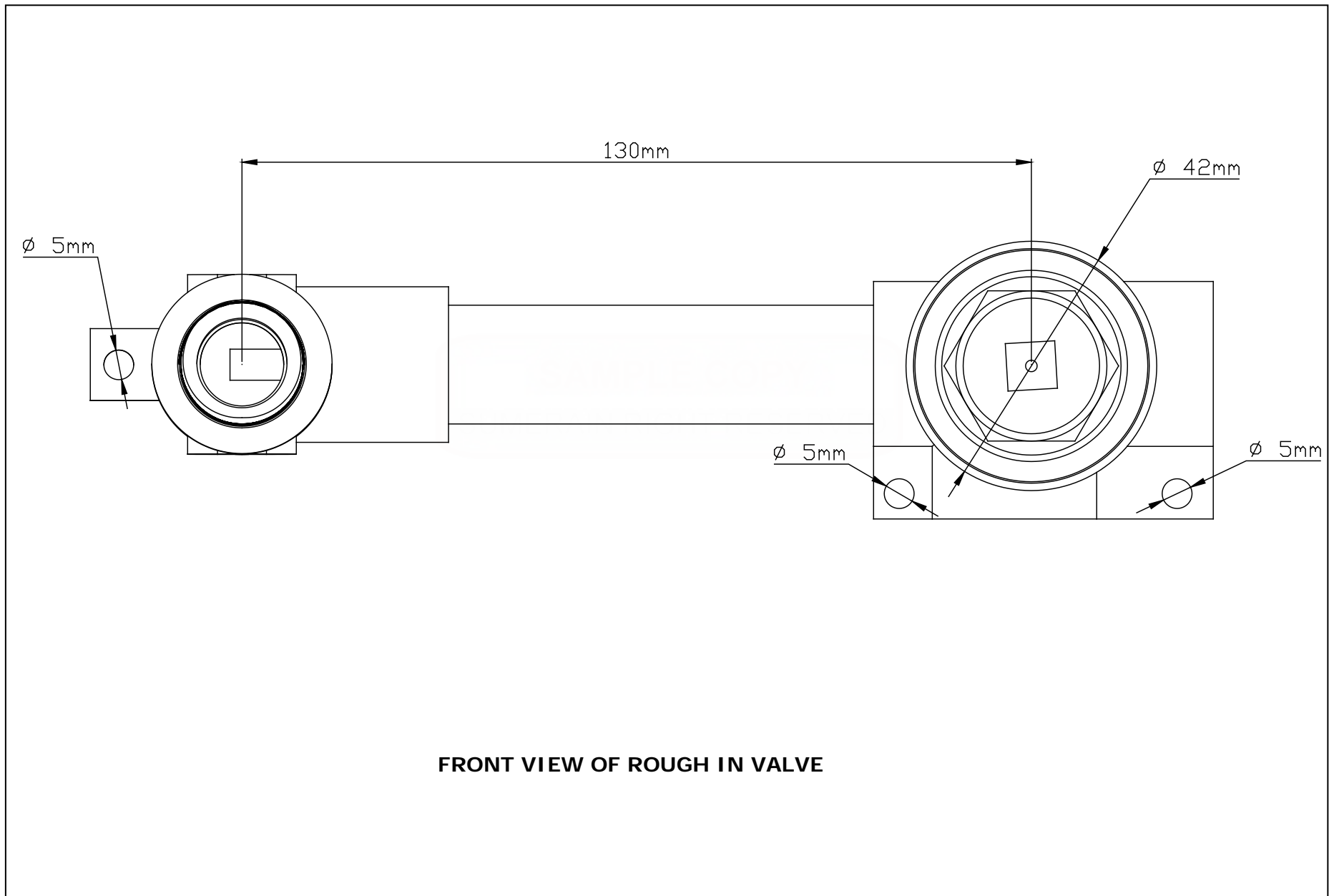
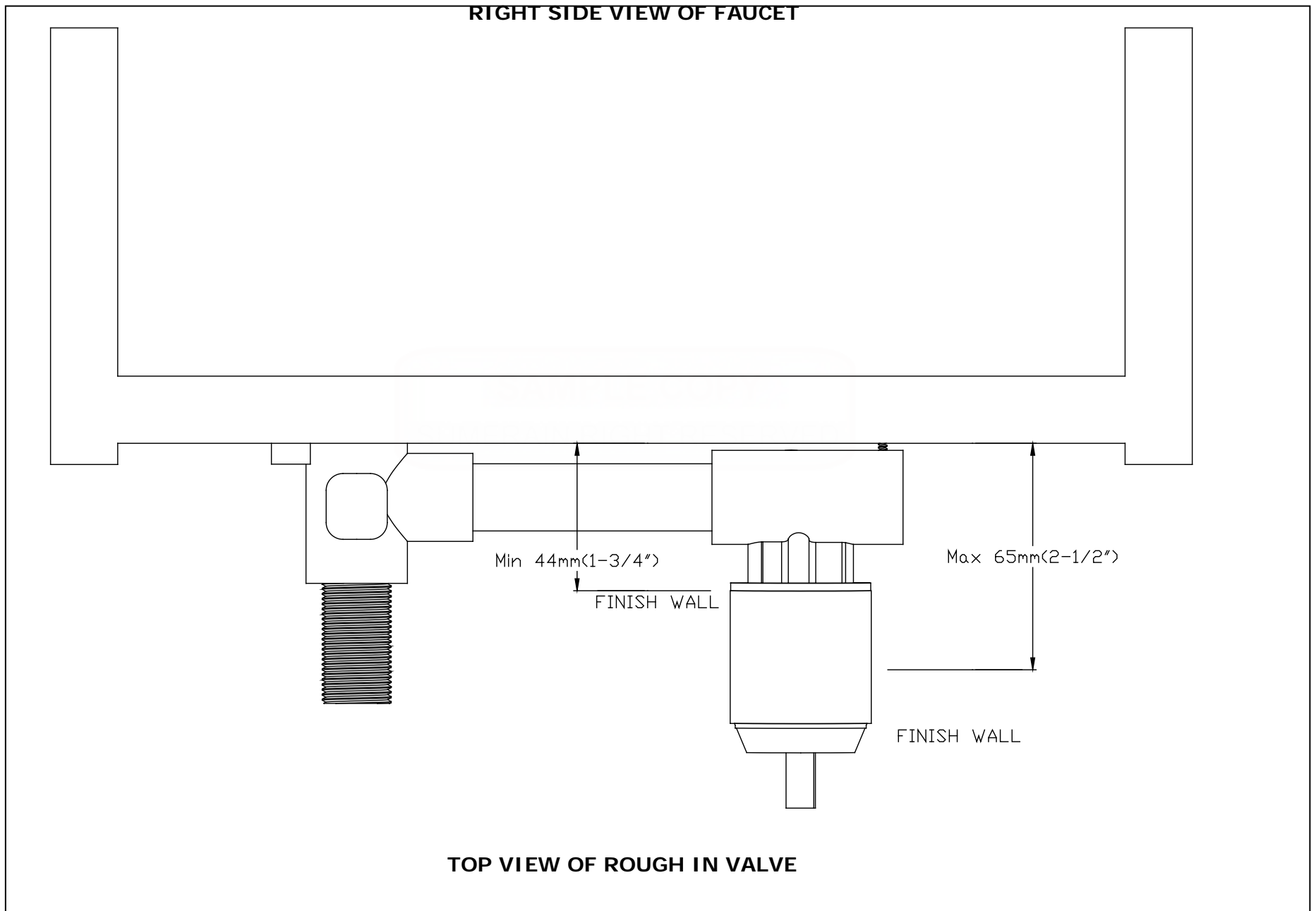
<b>Function</b>	Bathroom Sink Faucets
<b>Feature</b>	Waterfall, Wall mount
<b>Theme</b>	Modern ,Contemporary
<b>Configuration</b>	Vessel
<b>Finish</b>	Chrome
<b>Installation Holes</b>	Two
<b>Number of Handles</b>	One
<b>Handle style</b>	Lever
<b>Faucet Total Height</b>	Adjustable
<b>Spout Reach</b>	175mm [6-7/8"]
<b>Spout width</b>	123mm [4-7/8"]
<b>Spout Height</b>	Adjustable
<b>Max wall thickness</b>	32mm
<b>Installation type</b>	Wall mount
<b>Valve Type</b>	Ceramic disc
<b>Faucet Body Material</b>	Brass
<b>Spout Material</b>	304 Stainless steel
<b>Handle Material</b>	Metal
<b>Net Weight</b>	1.7 KG [3.75 lbs ]
<b>Gross Weight</b>	1.9KG [ 4.19 lbs ]
<b>Working water press</b>	0.2 ~0.8 Mpa
<b>Flow Rate</b>	8.3L/M [ 2.2 GPM ]
<b>Packing box size</b>	230mm(9.0") x 185mm(7-1/4") x 140mm(5-1/2")

## DIMENSION

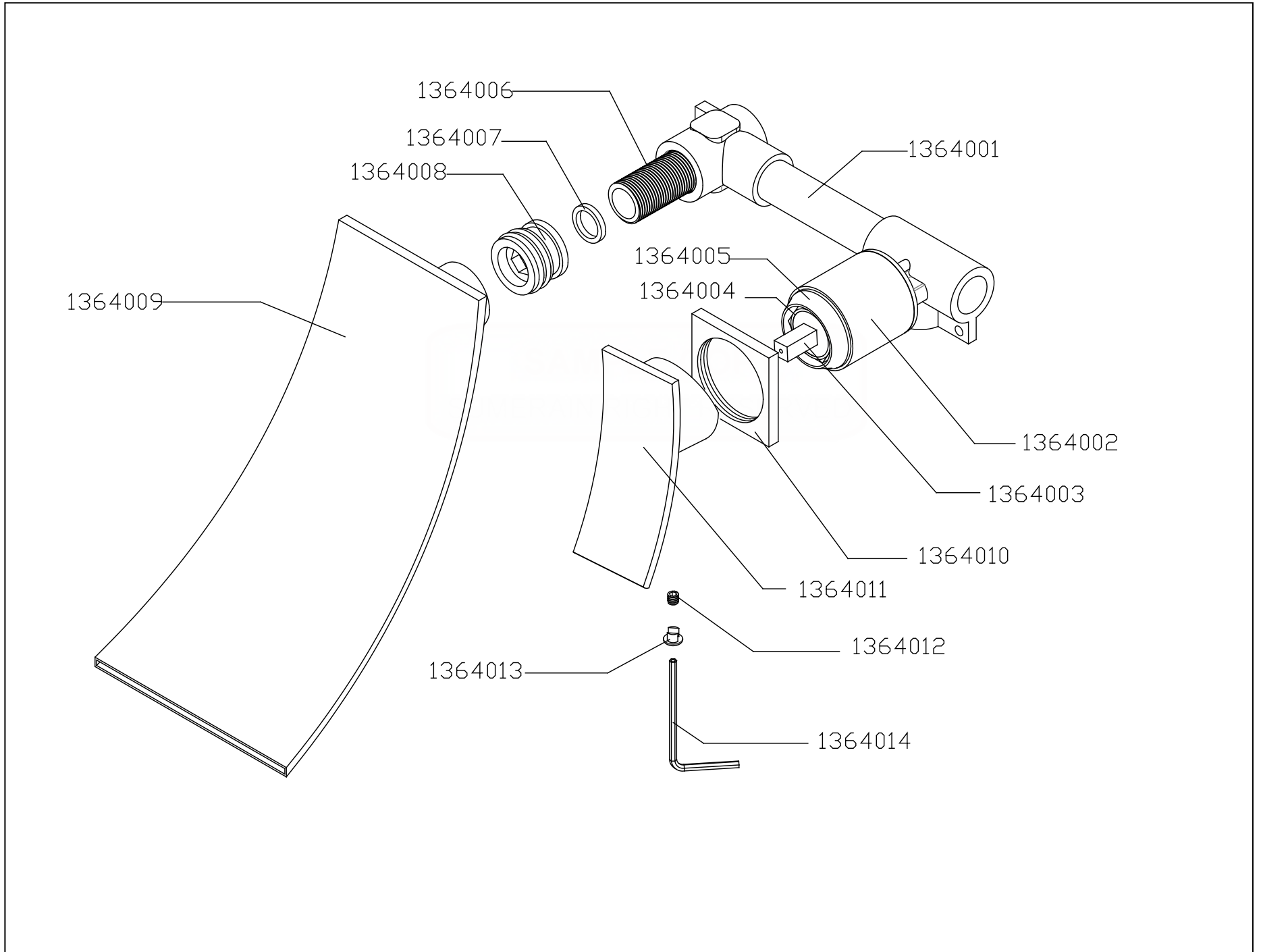


FRONT VIEW OF FAUCET





## ACCESORIES LIST



CODE	ITEM NAME	QTY	CODE	ITEM NAME	QTY
1364001	Rough-in valve	1PCS	1364002	sleeve	1PCS
1364003	ceramic cartridge	1PCS	1364004	Bonnet nut	1PCS
1364005	Escutcheon	1PCS	1364006	Shank	1PCS
1364007	Rubber washer	1PCS	1364008	Spout adapter	1PCS
1364009	Spout	1PCS	1364010	Escutcheon	1PCS
1364011	Handle(Lever)	1PCS	1364012	Lever screw	1PCS
1364013	Hot/cold sign	1PCS	1364014	Allen wrench	1PCS



**HONGKONG SUMERAIN SANITARY INDUSTRY CO.,LIMITED**

Address: ROOM 1018, HOLLYWOOD PLAZA 610 NATHAN ROAD MONGKOK, KL  
Factory Address: Shuikou Industrial Park, Kaiping City, Guangdong Province, China (Mainland)  
Tel: +86-750-2731579  
Fax: +86-750-2715258  
Web: [www.sumerain.com](http://www.sumerain.com)  
E-mail: [hk@sumerain.com](mailto:hk@sumerain.com)

**SUMERAIN INTERNATIONAL GROUP – AMERICA Branch**

Address: 13455 Harper Dr.  
Saratoga, CA 95070  
USA  
Tel: +1-408-867-8884  
FAX: +1-408-867-4272  
E-mail: [us@sumerain.com](mailto:us@sumerain.com)

