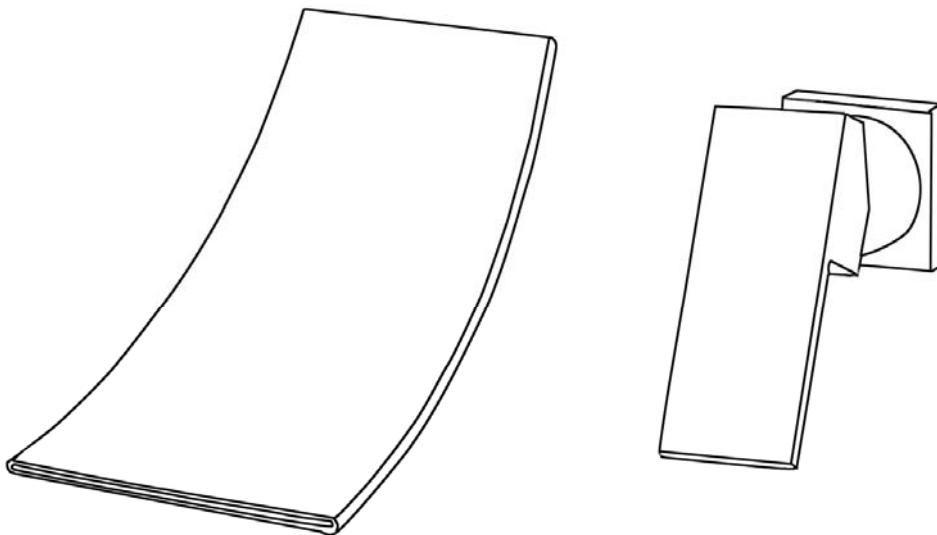

SUMERAIN®

MODEL: S1364CW

Version: 1.0

DATASHEET AND MEASUREMENT



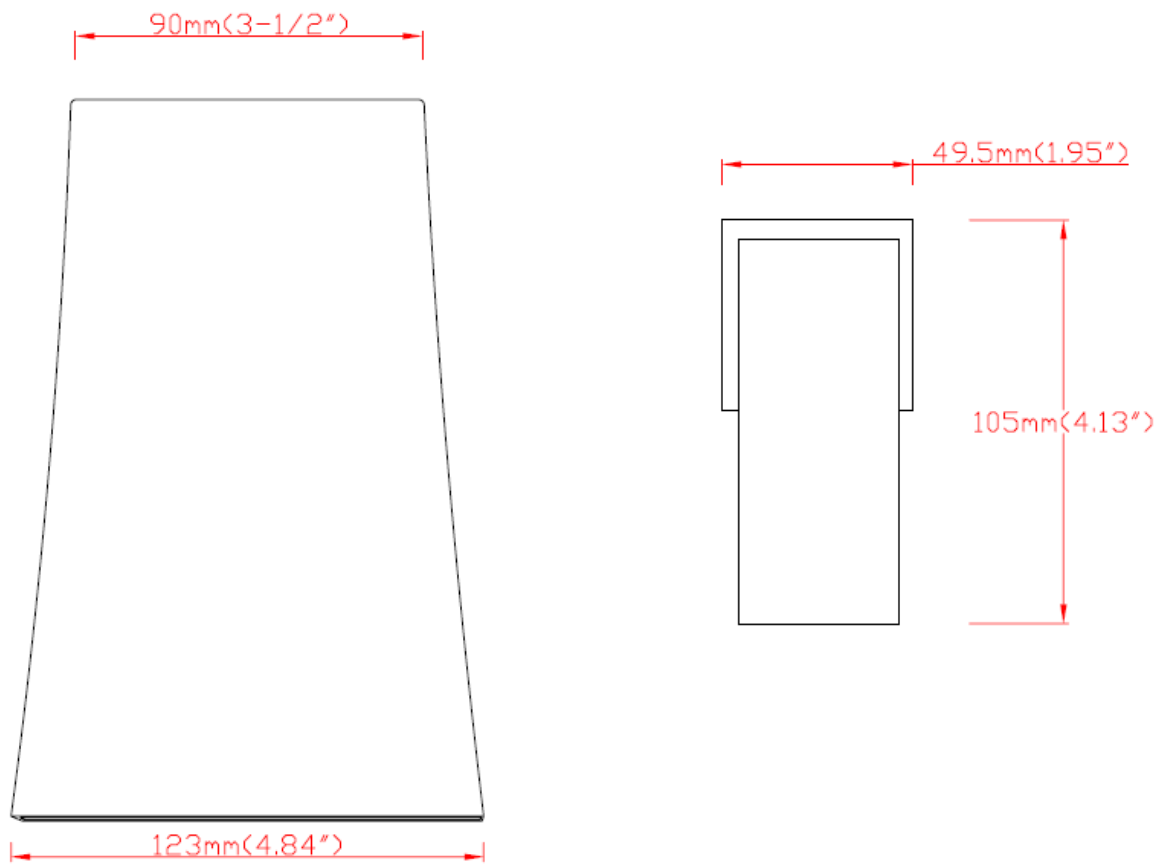
IN-WALL WATERFALL VESSEL SINK FAUCET

Welcome to visit SUMERAIN website: www.sumerain.com

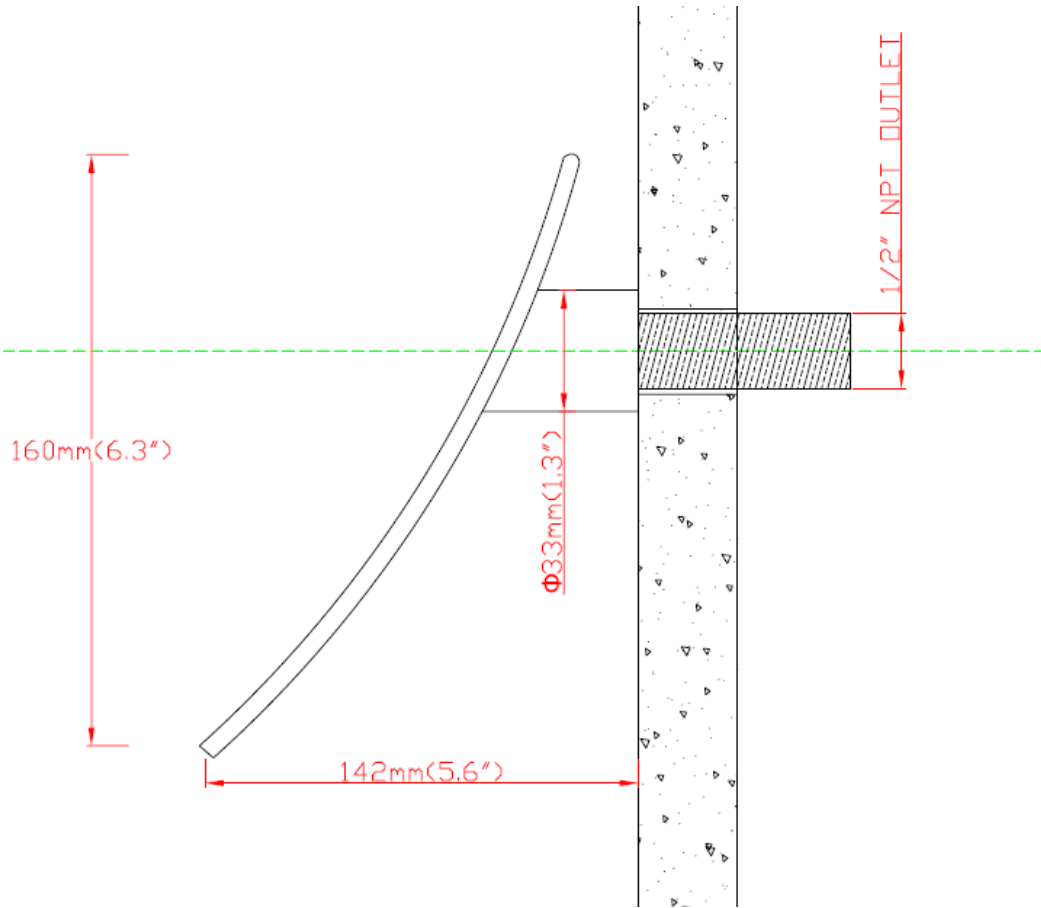
Specification

| | |
|-----------------------------|--|
| Function | Bathroom Sink Faucets |
| Feature | Waterfall, Wall mount |
| Theme | Modern ,Contemporary |
| Configuration | Vessel |
| Finish | Chrome |
| Installation Holes | Two |
| Number of Handles | One |
| Handle style | Lever |
| Faucet Total Height | Adjustable |
| Spout Reach | 142mm [5.60 Inch] |
| Spout Height | Adjustable |
| Deck thickness | Min 25mm [1.0 Inch] ; Max 52mm [2.0 Inch] |
| Installation type | Wall mount |
| Valve Type | Ceramic disc |
| Faucet Body Material | Brass |
| Spout Material | 304 Stainless steel |
| Handle Material | Metal |
| Net Weight | 1.4 KG [3.08 lbs] |
| Gross Weight | 1.5KG [3.31 lbs] |
| Working water press | 0.2 ~0.8 Mpa |
| Flow Rate | 8.3L/M [2.2 GPM] |
| Packing box size | 275mm(10.8") x 190mm(7.5") x 115 mm(4.52") |

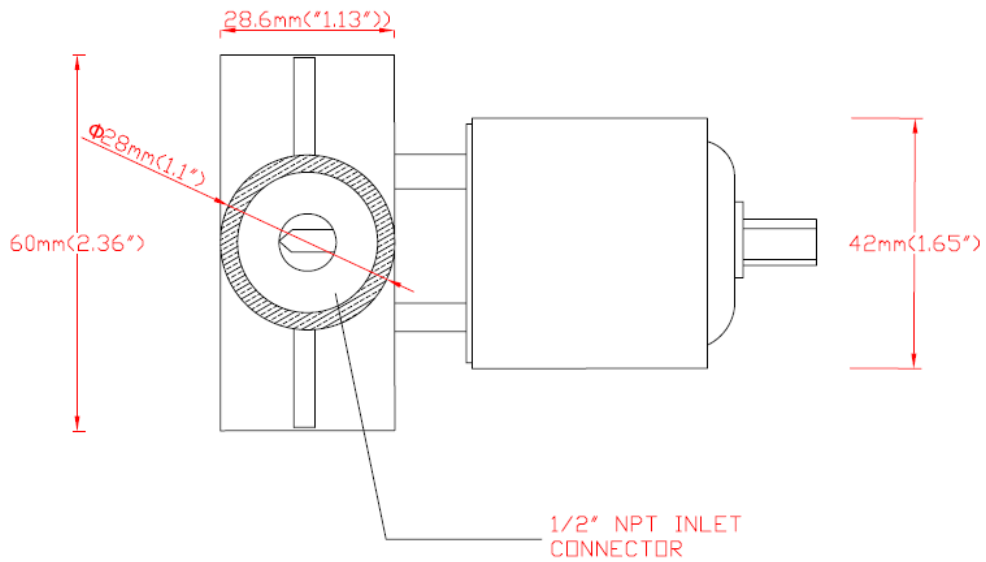
Dimension



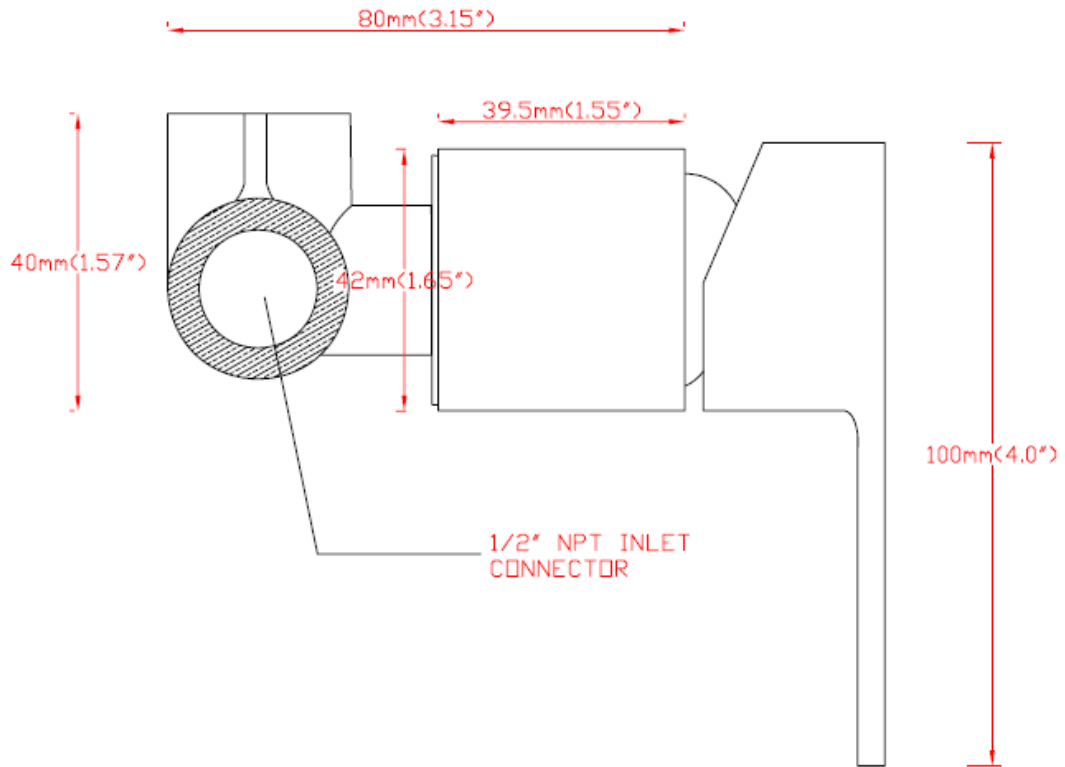
FRONT VIEW OF FAUCET



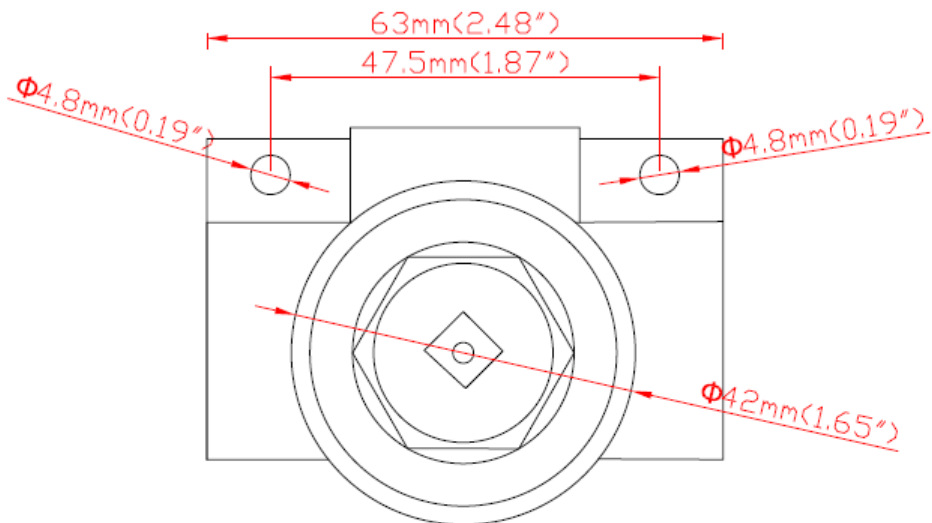
SIDE VIEW OF SPOUT



TOP VIEW OF ROUGH-IN VALVE

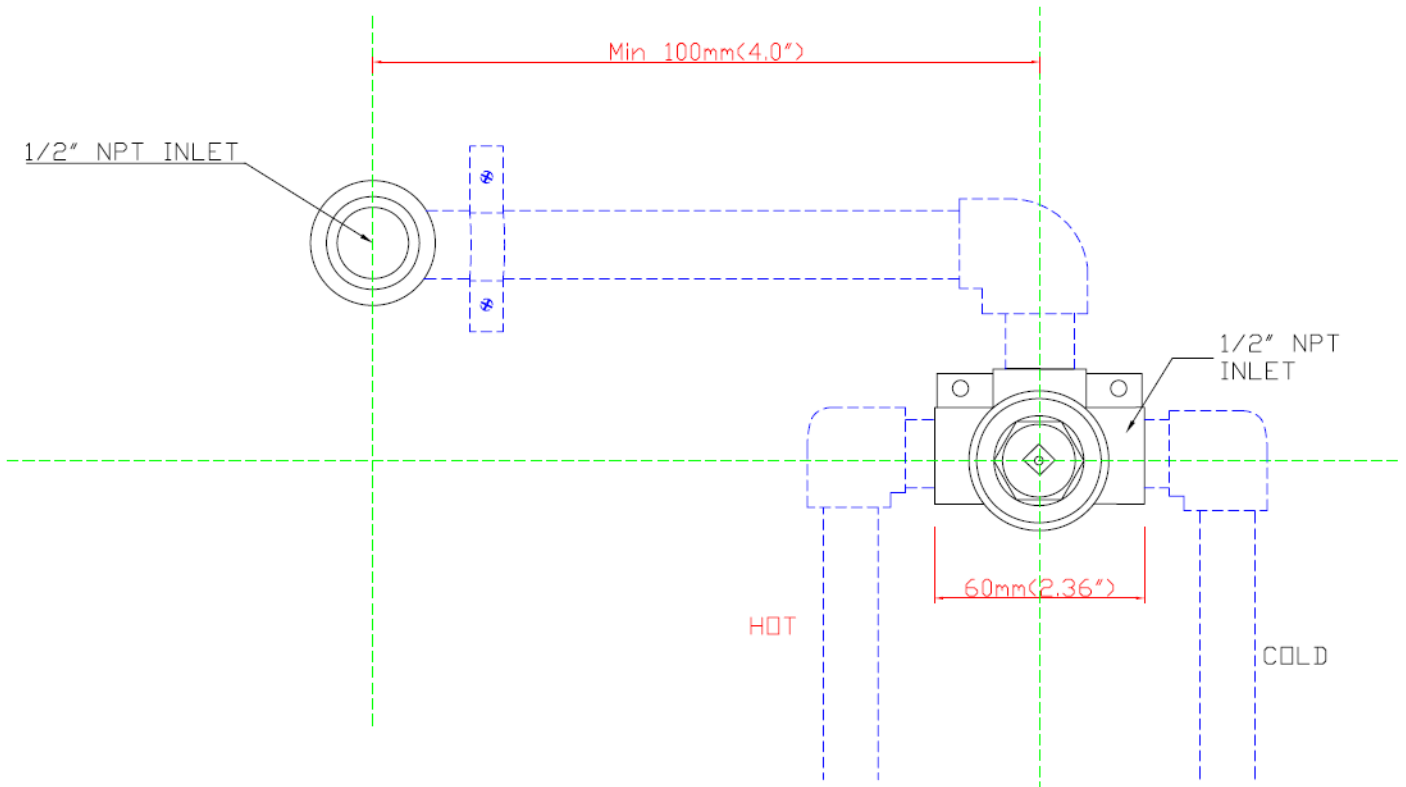
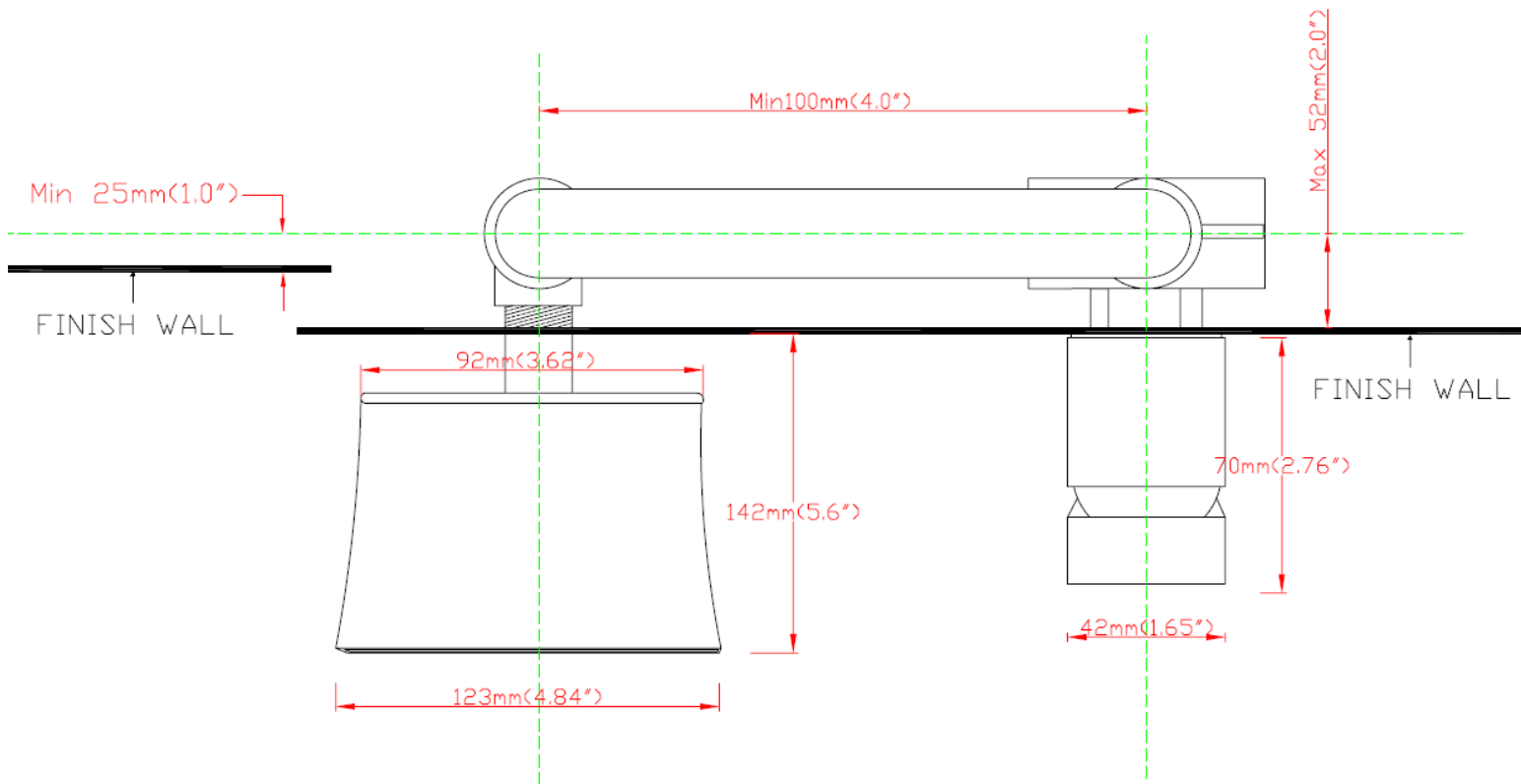


SIDE VIEW OF ROUGH-IN VALVE

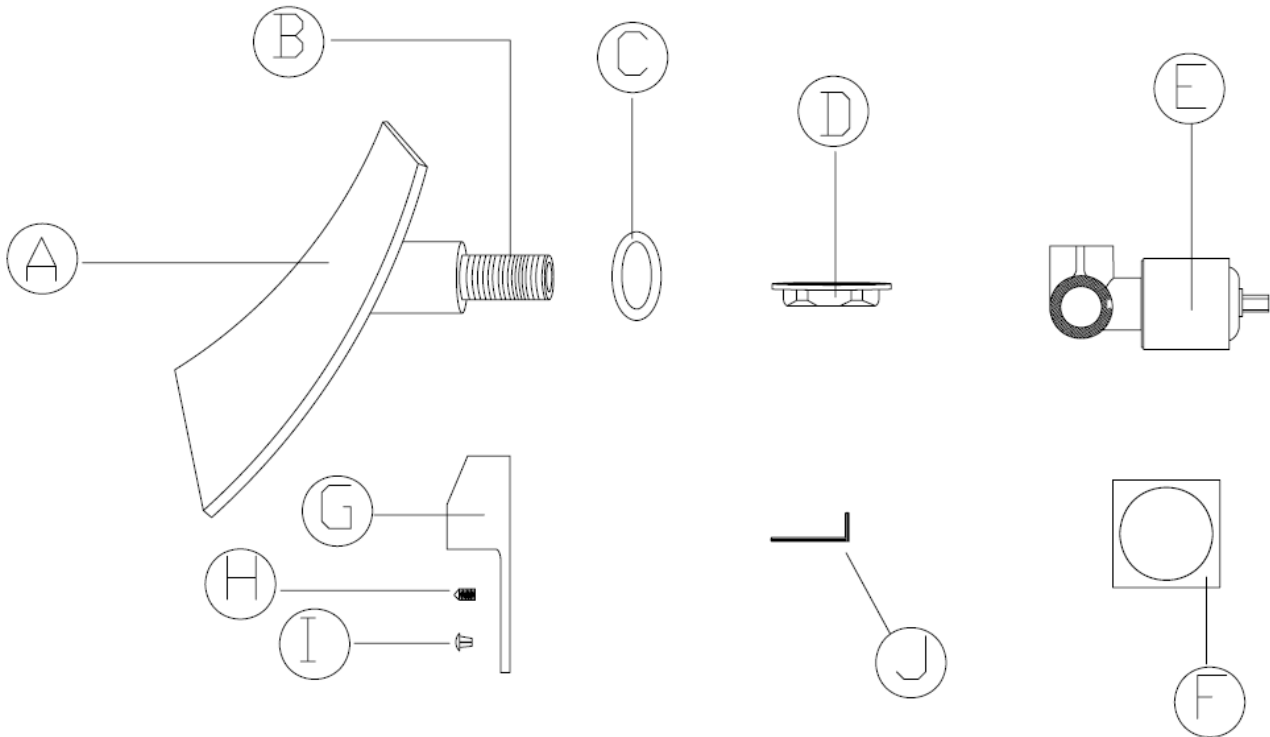


FRONT VIEW OF ROUGH-IN VALVE

Installation dimension



PACKING LIST



| CODE | ITEM NAME | QTY | CODE | ITEM NAME | QTY |
|------|---------------|------|------|----------------|------|
| A | Spout | 1PCS | B | Spout shank | 1PCS |
| C | Rubber washer | 1PCS | D | Shank lock nut | 1PCS |
| E | Rough-in wall | 1PCS | F | Escutcheon | 1PCS |
| G | Lever | 1PCS | H | Lever screw | 1PCS |
| I | Hot/cold sign | 1PCS | J | Allen wrench | 1PCS |



HONGKONG SUMERAIN SANITARY INDUSTRY CO..LIMITED

Address: ROOM 1018, HOLLYWOOD PLAZA 610 NATHAN ROAD MONGKOK, KL
Factory Address: Shuikou Industrial Park, Kaiping City, Guangdong Province,
China (Mainland)

Tel: +86-750-2731579

Fax: +86-750-2715258

Web: www.sumerain.com

E-mail: hk@sumerain.com

SUMERAIN INTERNATIONAL GROUP – AMERICA Branch

Address: 13455 Harper Dr.
Saratoga, CA 95070
USA

Tel: +1-408-867-8884

FAX: +1-408-867-4272

E-mail: us@sumerain.com